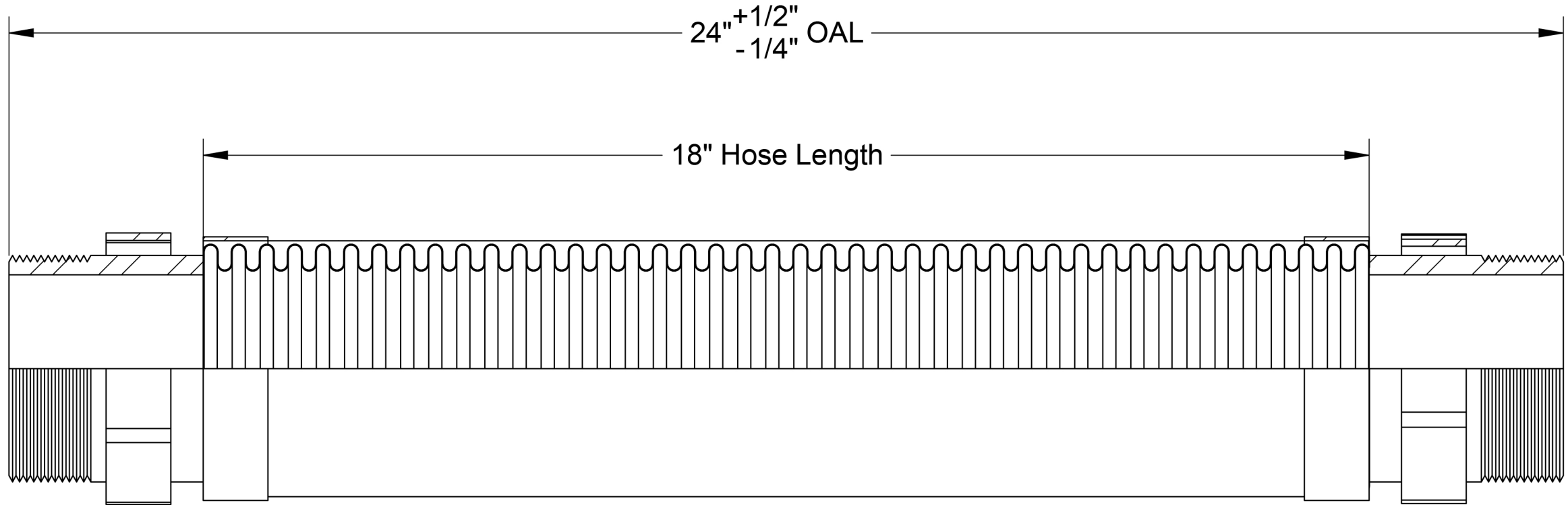


8 7 6 5 4 3 2 1

| REVISIONS | | | |
|-----------|-------------|------|----------|
| REV. | DESCRIPTION | DATE | APPROVED |



D

D

C

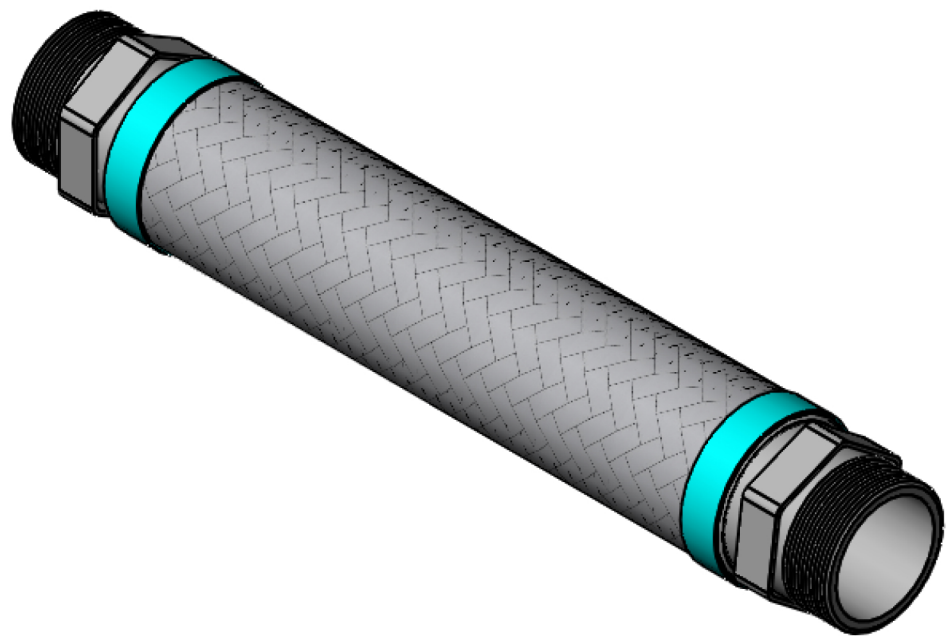
C

B

B

A

A



| ITEM # | QTY. | PART NUMBER | DESCRIPTION | MATERIAL | WEIGHT |
|--------|------|--------------|--|-----------------|--------|
| 1 | 1 | HOSE | 300 Series Stainless HYDROFORMED Corrugated Hose | Stainless Steel | 1.90 |
| 2 | 1 | BRAID | 300 Series Stainless Steel | Stainless Steel | 0.13 |
| 3 | 2 | BRAID COLLAR | 0.06" Thick | Stainless Steel | 0.22 |
| 4 | 2 | 3" MALE | 3" Male, 3"x8" Thread, 4" Hex | Carbon Steel | 2.73 |

| | | | |
|--|---|--|-----------------------------------|
| | HOSE MASTER Inc. 1233 East 222nd Street • Cleveland, Ohio 44117 (800) 221-2319 • Fax: (216) 481-7557 • www.hosemaster.com Locations: Cleveland • Houston | | Registered to: ISO 9001 : 2000 |
| | | | |

| | | |
|-------------|--|--------------------------------------|
| Projection: | Customer: Hose Master Inc. | Prepared By: kannk |
| | Reference: Fire-Shield - 3" Male x 3" Male x 24" OAL | CALC. WEIGHT: 8 lbs. Date: 9/24/2009 |

Description: **3" ID x 24" OAL 300 Series Stainless HYDROFORMED Corrugated Hose covered by 300 Series Stainless Braid. UL Approved 3" Male Connectors**

| | | | | |
|------------|--------------------|-------|---|--------------|
| Drawing #: | FSMM0300x24 | Rev.: | - | SHEET 1 OF 1 |
|------------|--------------------|-------|---|--------------|



8 7 6 5 4 3 2 1